



## **Electrochemical And Materials Test Accessories**

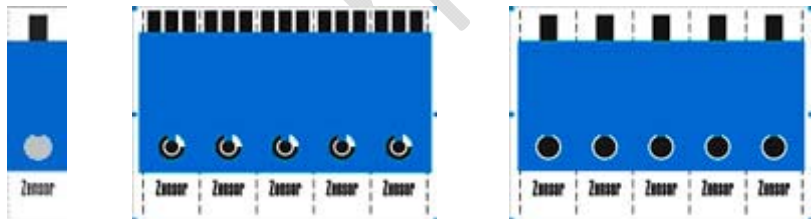
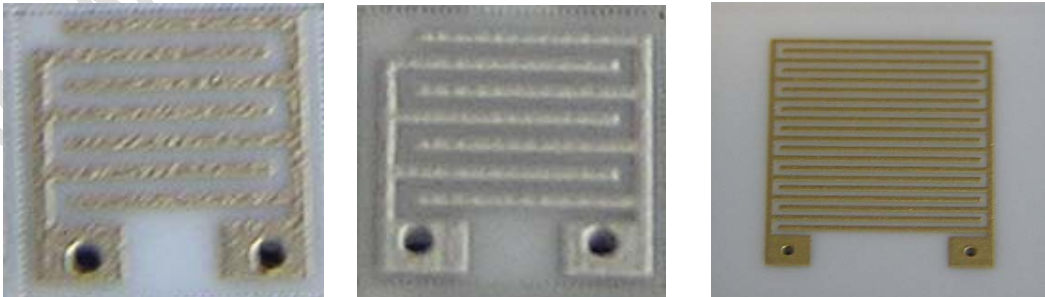
- A.) Quartz & Ceramic Parts / Accessories**
- B.) Screen Printed Electrodes**
- C.) Battery Test Cell**
- D.) Material Test Cell**
- E.) Palletized Sample Holder**
- F.) Faraday Cage**
- G.) Hydraulic Press / Hot Press System**

**A.) Quartz & Ceramic Parts / Accessories**

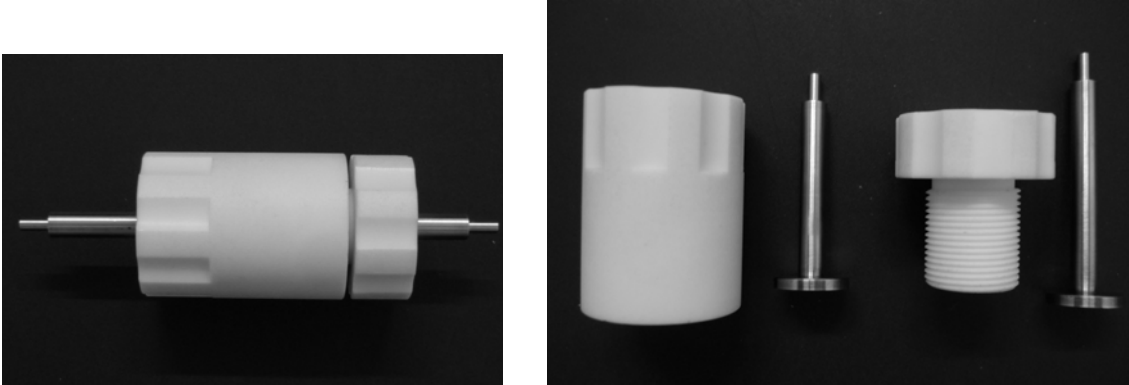
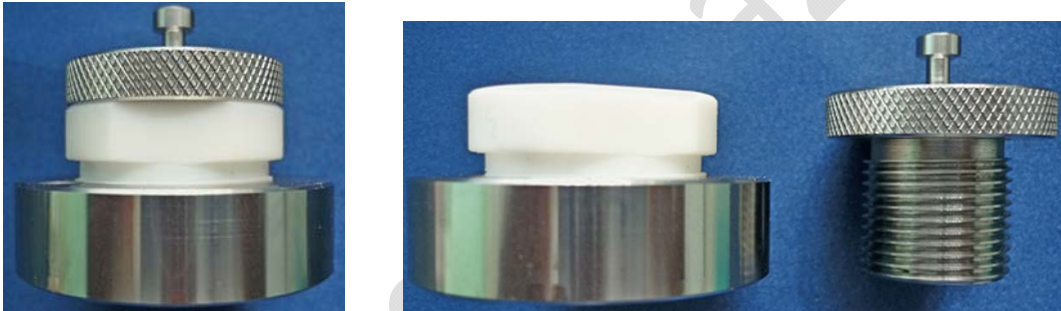
No.	Description
1.	<p>Fused Quartz Tubes / Rods</p> 
2.	<p>Fused Quartz Boats / Crucibles</p> 
3.	<p>Plates &amp; Discs</p> 
4.	<p>Custom Quartzware</p> 
5.	<p>Ceramic Boats / Crucibles</p> 

6.	<p>Ceramic Tubes / Rods</p> 
7.	<p>Alumina Plates / Disks</p> 

**B.) Screen Printed Electrodes**

No.	Description
1.	<p>Single working electrode and three electrode screen printed electrodes</p> 
2.	<p>Interdigitated Finger Electrodes – Au / Pt</p> 

**C.) Battery Test Cell**

No.	Description
3.	
4.	

**D.) Material Test Cell**

No.	Description
1.	

**E.) Palletized Sample Holder**

No.	Description
1.	 <p data-bbox="794 817 943 853" style="text-align: center;"><b>Teflon Body</b></p>
2.	 <p data-bbox="571 1377 1166 1413" style="text-align: center;"><b>Ceramic Body (for high temperature application)</b></p>
3.	<div style="display: flex; justify-content: space-around;">   </div> <ul style="list-style-type: none"> <li>• 2 electrodes measurement</li> <li>• SS316 Electrodes</li> <li>• Concentricity: better than 0.1mm concentricity</li> <li>• Sample diameter: 18 mm diameter</li> <li>• Pressure loading on sample: homogeneous mechanical pressure via electrodes</li> <li>• Materials in media contact: stainless steel and bakelite</li> </ul>

F.) Faraday Cage

No.	Description
1.	 <p>The image displays three different models of Faraday cages. The top left is a light green, cube-shaped enclosure with a handle and a circular lock. The top right is a blue cube-shaped enclosure with a glass viewing window and a handle. The bottom center is a black, open-top enclosure with a handle on the top surface. A large, diagonal watermark 'www.materials-a2z.com' is overlaid across the images.</p>

**G.) Hydraulic Press / Hot Press System**

No.	Description
1.	

**NovaScientific**

**NovaScientific Resources (M) Sdn. Bhd.**

No. 12A-2A, Block A, Jalan PJU 1/3B, Sunwaymas Commercial Centre,  
47301 Petaling Jaya, Selangor Darul Ehsan, Malaysia.

Tel: 03-7805 5766 Fax: 03-7805 5866

E-mail: [novascientific@gmail.com](mailto:novascientific@gmail.com), [sales@materials-A2Z.com](mailto:sales@materials-A2Z.com)

Website: [www.novascientific.com.my](http://www.novascientific.com.my), [www.materials-A2Z.com](http://www.materials-A2Z.com)